

LOG AMPLIFIER

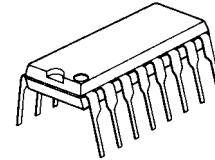
■ GENERAL DESCRIPTION

The **NJM2204A** is an integrated IF limiting amplifier which contains temperature compensated reference power supply, 6 stage differential limiting amplifier and 6 stage logarithmic suppression circuit.

Its voltage gain is 58dB and linearity is ± 1 dB within 50dB log dynamic range. The voltage gain and log dynamic range are enlarged by connecting multiple stages.

The **NJM2204A** is suitable to telecommunication equipment.

■ PACKAGE OUTLINE



NJM2204AD

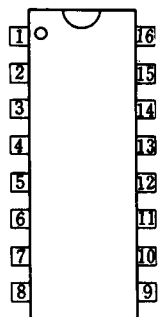
■ FEATURES

- Wide log dynamic range (50dB)
- Wide linearity range (± 1 dB)
- Large Voltage Gain (60dB)
- Wide stable operating supply voltage range (8 to 12V)
- Wide stable operating temperature range (-20 to 85°C)
- Package Outline DIP16
- Bipolar Technology

■ APPLICATION

- Cellular
- Personal wireless Radio
- Business wireless Radio
- Handy talky

■ PIN CONFIGURATION

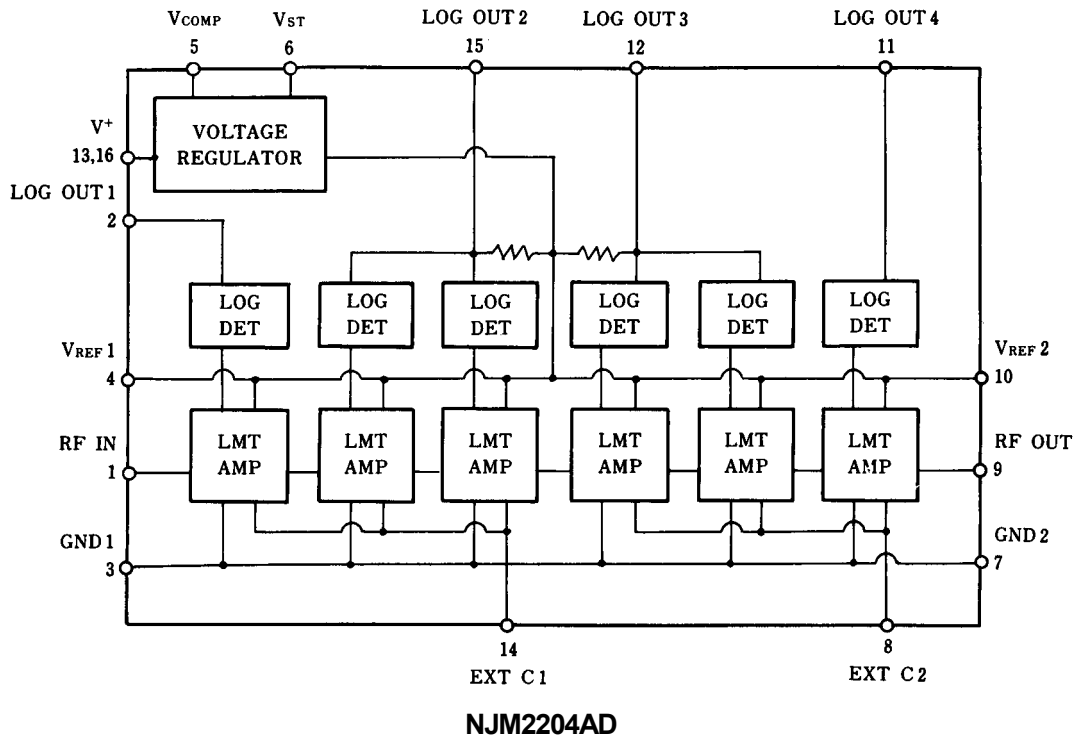


NJM2204AD

Pin No.	Pin Name	Function
1	RF IN	AC Signal Input (C-coupling)
2	LOG OUT 1	LOG Detector Output (from 1st stage)
3	GND1	Ground 1
4	V _{REF1}	Internal Reference Voltage 1
5	V _{COMP}	Compensation Input to Reference Voltage
6	V _{st}	Compensated Output of Reference Voltage
7	GND2	Ground 2
8	EXT C2	Terminate with C
9	RF OUT	Limited AC Output
10	V _{REF2}	Internal Reference Voltage2
11	LOG OUT 4	LOG Detector Output (from 6th stage)
12	LOG OUT 3	LOG Detector Output (from 4th and 5th stage)
13	V ⁺ 2	Supply Voltage Input 2
14	EXT C1	Terminate with C
15	LOG OUT 2	LOG Detector Output (from 2nd and 3rd stage)
16	V ⁺ 1	Supply Voltage Input 1

NJM2204A

■ BLOCK DIAGRAM



■ LOG DETECTOR OUTPUT CHARACTERISTICS(EXAMPLE)

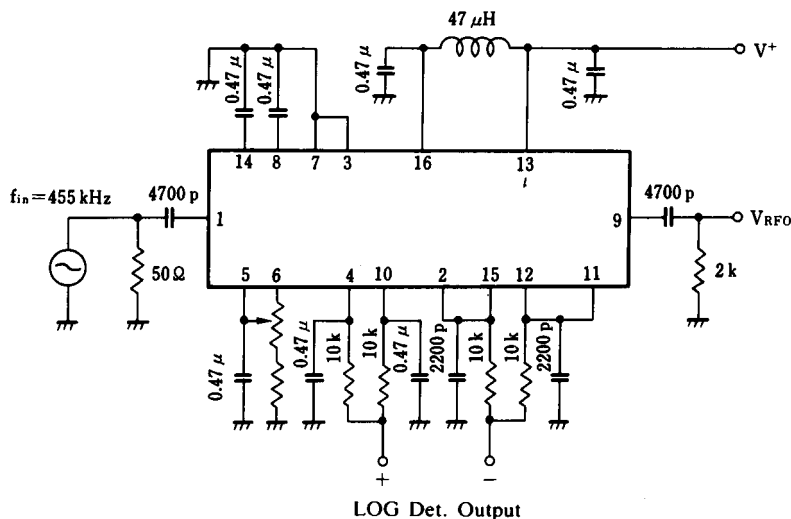
($T_a=25^\circ\text{C}$, $V^+=9\text{V}$, $V_{\text{REF}}=6.0\text{V}$)

PARAMETER	TEST CONDITION	MIN.	TYP.	MAX.	UNIT
Log Detector Output	$f_{\text{IN}}=455\text{kHz}$, $V_{\text{IN}}=8\text{dB}$ (50 Ω termination)	0.976	1.004	1.032	V
	$f_{\text{IN}}=455\text{kHz}$, $V_{\text{IN}}=-2\text{dB}$ (50 Ω termination)	0.868	0.896	0.924	V
	$f_{\text{IN}}=455\text{kHz}$, $V_{\text{IN}}=-12\text{dB}$ (50 Ω termination)	0.727	0.755	0.783	V
	$f_{\text{IN}}=455\text{kHz}$, $V_{\text{IN}}=-22\text{dB}$ (50 Ω termination)	0.586	0.614	0.642	V
	$f_{\text{IN}}=455\text{kHz}$, $V_{\text{IN}}=-32\text{dB}$ (50 Ω termination)	0.446	0.474	0.502	V
	$f_{\text{IN}}=455\text{kHz}$, $V_{\text{IN}}=-42\text{dB}$ (50 Ω termination)	0.305	0.333	0.361	V
	$f_{\text{IN}}=455\text{kHz}$, $V_{\text{IN}}=-52\text{dB}$ (50 Ω termination)	0.164	0.192	0.202	V
Log Detector Linearity	$T_a=-20^\circ\text{C}$ to 85°C , $V_{\text{IN}}=-2$ to -52dBm	-	-	± 1	dB

* Log Detection Linearity : It is error between RF input level and ideal input level to straight line connected two detection output points of two input level (-2dBm, -52dBm).

* Temperature coefficient of Log detection output voltage : approximately $90\mu\text{V}/^\circ\text{C}$ Typ. (-20 to +85 $^\circ\text{C}$).

■ TEST CIRCUIT



■ RECOMMENDED OPERATING CONDITION

($T_a = -20$ to 85°C)

PARAMETER	SYMBOL	MIN.	TYP.	MAX.	UNIT
Operating Voltage	V^+	8.0	9.0	16.0	V
Output Load Impedance	B_{RFO}	1	2	-	$k\Omega$
	B_{LOGO}	100	-	-	$k\Omega$
Stabilized Voltage	V_{VR}	-	6.0	-	V

■ ABSOLUTE MAXIMUM RATINGS

PARAMETER	SYMBOL	RATING	UNIT
Supply Voltage	V^+	-0.5 to 16.0	V
Input Voltage	V_{IN}	-0.5 to V^+	V
Output Current	I_{LR}	5	mA
	I_{RFO}	2	mA
Operating Temperature	T_{opr}	-20 to 85	$^\circ\text{C}$
Storage Temperature	T_{stg}	-55 to 125	$^\circ\text{C}$

(note): The **NJM2204A** is produced by high frequency wafer process and so destructive voltage against surge pulse is lower than low frequency product.

■ ELECTRICAL CHARACTERISTICS

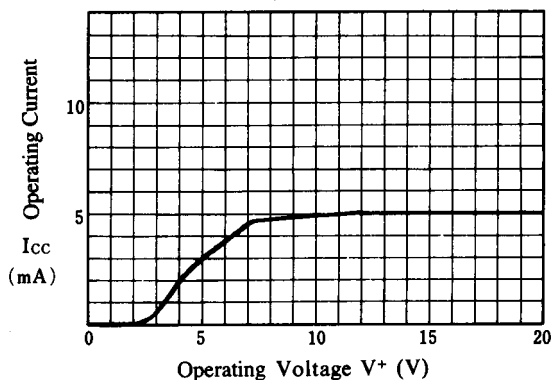
($T_a = 25^\circ\text{C}$, $V^+ = 9\text{V}$, $V_{REF} = 6.0\text{V}$)

PARAMETER	SYMBOL	TEST CONDITION	MIN.	TYP.	MAX.	UNIT
Operating Current	I_{CC}		-	6	10.0	mA
Maximum Operating Frequency	f_{max}		0.5	3	-	MHz
Output Voltage Swing	V_{RFO}	Input : +8dBm (50 Ω termination)	-	2.0	-	V_{P-P}
Log Detection Output	V_{LOG}	Input : +8dBm (50 Ω termination)	-	1.0	-	V
Log Detection Linearity	L_{IN}	$V_{IN} = -2\text{dBm}$ to -52dBm (50 Ω termination)	-	-	± 1	dB
Limiter Amp Gain	G_V		60	-	-	dB

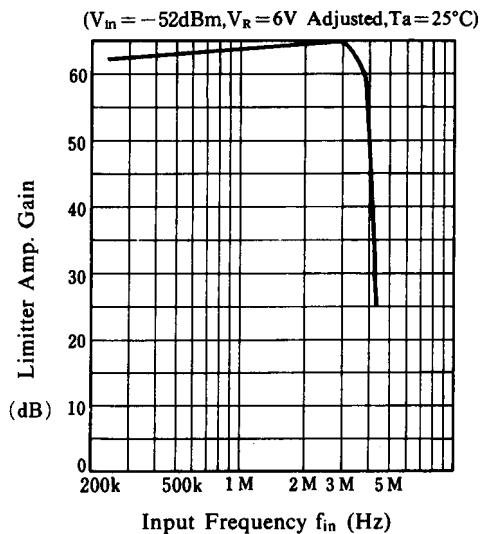
NJM2204A

■ TYPICAL CHARACTERISTICS

Operating Current vs. Operating Voltage
($T_a = 25^\circ\text{C}$)

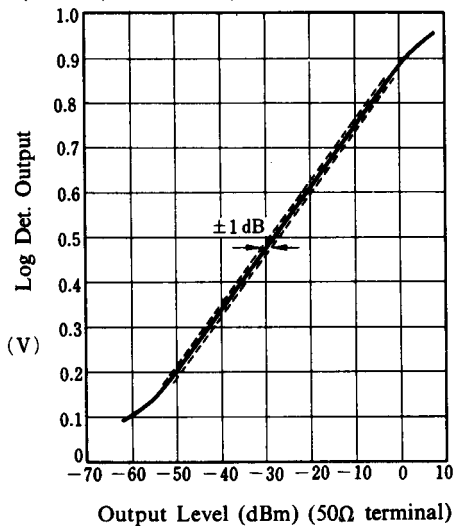


Limiter Amp Gain



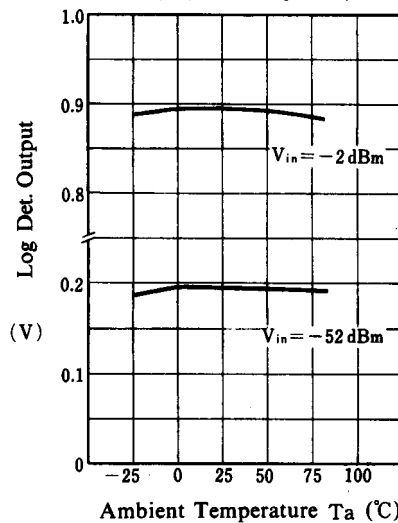
Log Detector Output

($V^+ = 9\text{V}, V_R = 6\text{V Adjusted}, f_{in} = 455\text{kHz}, T_a = 25^\circ\text{C}$)



Log Detector Output

($V_{in} = -52\text{dBm}, V_R = 6\text{V Adjusted}, T_a = 25^\circ\text{C}$)



Log Detector Output V_R

($f_{in} = 455\text{kHz}, T_a = 25^\circ\text{C}, 50\Omega$ Terminal)

